

1.5 Tonne

Powered Hand Pallet Truck



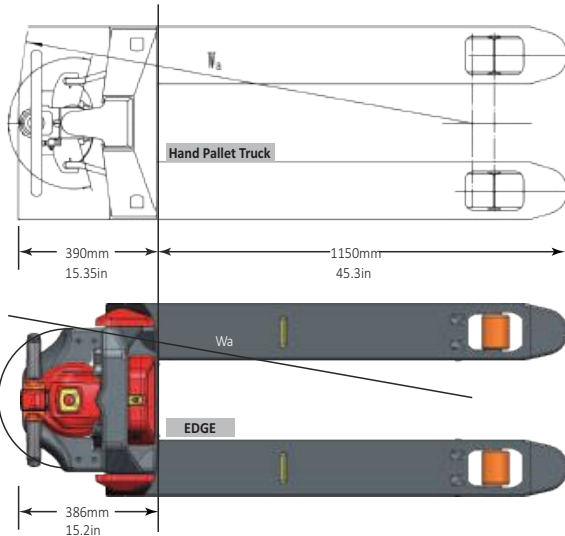
Model: GPPT 1500 Edge



7 reasons

why Godrej Powered Hand Pallet Truck is the right choice to improve productivity and safety of your material handling operations

1 Works in a compact space like a Hand Pallet Truck



- The short body length of truck (L2=380mm) is even smaller than Hand Pallet Truck. It provides the shortest turning radius of 1274 / 1336 mm with lifted/lowered forks and makes the truck extremely compact and ideal for use in confined spaces of retail stores, elevators or business centers.

2 Robust & smart design of chassis ensures long life of truck



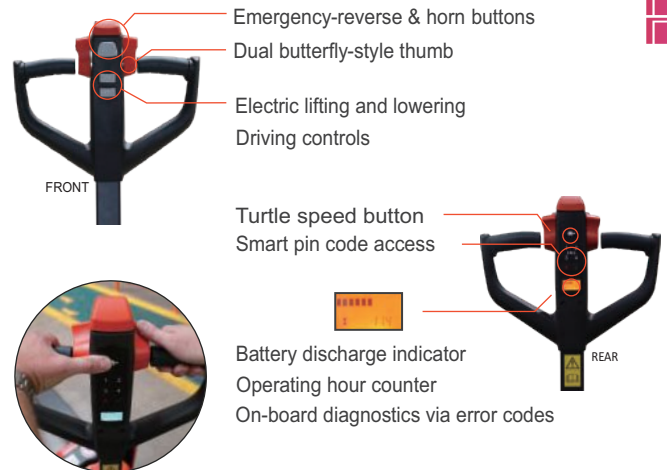
- Full length double sided C-shape reinforcements of forks significantly increase strength and rigidity of frame.
- Strong steel apron protects operator's feet during work and secures truck's components from collision with objects.

3 Robust performance drives productivity



- Load capacity of 1500 kgs, rugged drive unit and high gradeability make the truck an ideal choice for rigorous short distance transfer duties, clearing of staging areas and operating on ramps.

4 Ergonomic and full function control handle facilitates ease of operation



- The function of driving with tiller in the vertical position helps with operations in confined areas without sacrificing safety

5 Various safety features ensure stress free working

- Powered traction and lift minimizes the operator's physical input and provides a highly productive and stress free working environment.
- Truck is equipped with an electromagnetic failsafe parking brake.
- Robust metal cowling protects the drive unit and components, while the low profile chassis protects the operator's feet.
- The long low mounted tiller arm places the operator at a safe yet comfortable working distance from the truck.

6 Easy to change & easy to charge smart Li-Ion Battery imparts flexibility in operations

- Edge is equipped with maintenance-free lithium-ion battery, that facilitates opportunity charging without impacting life of battery.

- Smart battery positioning and lock for great fixation and safety.



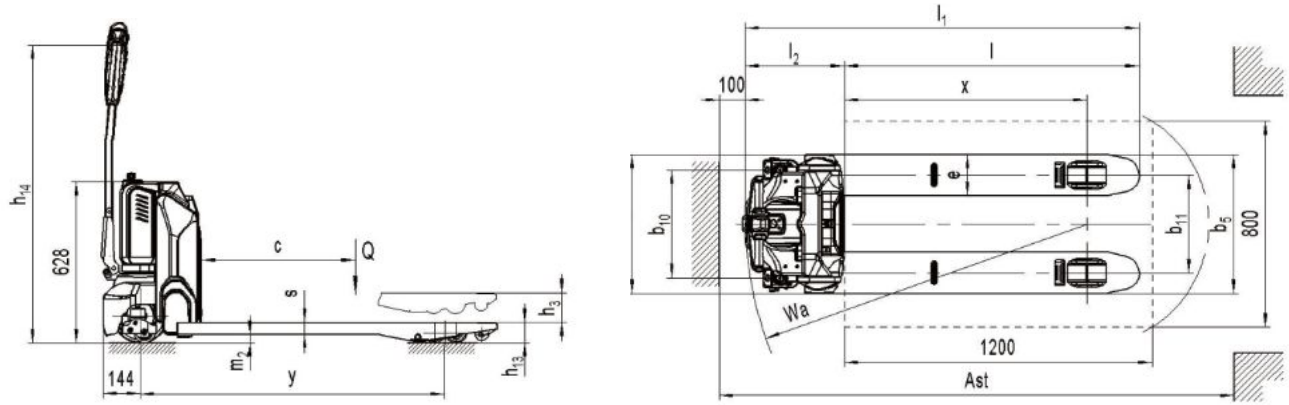
- Light weight lithium-ion battery for easy changeover

7 Maintenance friendly service layout

- Convenient and fast access to any component of truck.
- There are no hoses or pipes used in hydraulic lifting circuit thus eliminating potential problems related to leakages through connectors.
- The truck is equipped with MOSFET controller and CAN-bus technology that makes the diagnostic and troubleshooting easier



Specification of Godrej 1.5 Ton Powered Hand Pallet Truck with Li-ion Battery



TECHNICAL SPECIFICATION

TECHNICAL SPECIFICATION						
Characteristics	Manufacturer			Godrej		
	Model Designation			GPPT 1500 Edge		
	Operation Type			Pedestrian		
	Load Capacity	Q	Kg	1500		
	Load Centre	C	mm	600		
	Axle centre to fork face (Load distance)	X	mm	947		
	Wheel Base	Y	mm	1185		
Weights	Unladen weight incl. battery	-		123	126	
	Axle loading	w. load Drive / Load		500 / 1123	626 / 1000	
		w.o. load Drive / Load		96 / 27	99 / 27	
Wheels & Tyres	Wheels Type			Polyurethane		
	Wheel size	Drive	mm	210 x 70		
		Load	mm	80 x 70		
		Castor Wheel	mm	80 x 30		
	No. of wheels	Drive / Load / Castor wheel		1 x 4 x 2		
Track Width at Load wheel	b11	mm	380	525		
Dimensions	Lift Height	h3	mm	115		
	Height of tiller in drive position min / max	h14	mm	700 / 1160		
	Lowered Forks Height	h13	mm	80		
	Overall Length	l1	mm	1530		
	Lowered Headlength	l2	mm	380		
	Overall width	l2	mm	540/685		
	Fork dimension	Length x Width x Thickness		mm	1150 x 160 x 47	
	Max. width across forks	b5	mm	540 / 685		
	Ground clearance at centre of wheelbase	m2	mm	33		
	Aisle width with pallet 1000X1200 across forks	Ast	mm	2130		
	Aisle width with pallet 800X1200 along forks			2000		
	Turning Radius	Wa	mm	1330		
Performance	Travel speed	with load / without load	Km/h	4.6 / 4.8		
	Lift speed	with load / without load	m/sec	0.02 / 0.025		
	Lowering speed	with load / without load	m/sec	0.05 / 0.04		
	Max. gradeability	with load / without load	%	4 / 16		
	Service brake			EM		
Electrics	Drive motor, S2 60 min rating		kW	0.65		
	Lift motor, S3 10% rating		kW	0.5		
	Battery (Li- Ion)	Voltage		V	24	
		Capacity		Ah	20	
	Battery weight			Kg	4.6	
Misc.	Type of drive control			DC Speed Control		
	Sound level at driver's ear acc. to EN 12053	dB(A)		<70		
	Steering type			mechanical		

DEALER CONTACT DETAILS – KENYA & UGANDA

GANATRA
PLANT & EQUIPMENT LTD.



**Baba Dogo Road, Ruaraka,
Nairobi**

Tel: +254723506911

Email: *info@godrej.co.ke*

**Pioneer house, Showroom 4
Plot 28, Jinja road, Kampala**

Tel: +256770660449

Email: *info@godrej.co.ke*