



Powered Pallet Truck 3 tonne

**MORE CAPACITY, HIGHER PRODUCTIVITY,
GREATER SAFETY**

YOUR RELIABLE PARTNER FOR MAXIMUM PRODUCTIVITY AND THROUGHPUT

Godrej Powered Pallet Trucks are uniquely designed for carrying heavy loads over long distances continuously. The latest in this product category, our 3-tonne powered pallet truck is a robust, compact, heavy-duty machine that perfectly fits in your workplace. Its ergonomically-positioned controls and enhanced safety features keep the operator comfortable and protected at all times.



Engineered for durability

An 8 mm carbon steel chassis protects the drive train, hydraulic pack and controller from damage during operations



Heavily reinforced fork tips significantly increase strength, making the truck an ideal choice for rigorous use, even with heavy loads



Easy access to controls

- A full-function control handle with thoughtfully placed switches allows the operator to intuitively manage all functions (Forward/Reverse/Braking/Lifting/Lowering) and pay attention to driving and handling
- The symmetrical design of the handle makes it equally suitable for left and right-handed operators
- Battery rollers in the equipment with our battery changing trolleys facilitate fast swapping of battery



Superb ergonomics for operator efficiency

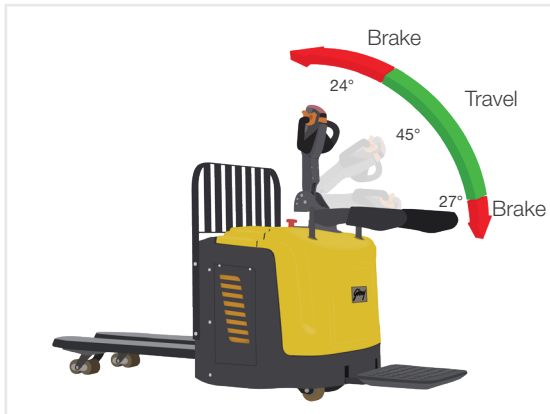
- Best-in-class electronic power steering for effortless maneuvering and reduced operator fatigue
- A gas spring in the tiller arm reduces the effort required to pull and hold it in position, reducing strain on the operator. It also ensures a cushioned return when the control arm is released



Fully integrated AC Traction System (ACTS) for controlled operations

- The AC control system with the rugged drive train allows fast acceleration and quick direction change while protecting the gearbox
- It keeps the equipment under fine control at low speed for pallet picking and placing

SAFETY FEATURES FOR STRESS-FREE MATERIAL HANDLING OPERATIONS



Fail-safe braking system

- An electromagnetic brake acts automatically in case of power failure. It also operates as a ramp hold, preventing the machine from moving if left unattended on a slope
- With a programmable braking system, Godrej Powered Pallet Trucks are easy to use under any working conditions or operator skills

Anti-pinning button

If the operator accidentally gets trapped between the pallet truck and the wall/rack, the anti-pinning button presses against the operator and immediately moves the machine a few inches away before coming to a halt



Emergency stop switch

The mushroom button, when activated instantly cuts the power supply to all functions and activates the electromagnetic brake in case of an emergency

Battery Discharge Indicator (BDI) with lift lockout

To prevent deep discharge of the battery, BDI prompts the operator to put the battery on charge when it is discharged to 20% of its total capacity





STANDARD INCLUSION AND OPTIONAL ACCESSORIES

Standard Inclusions

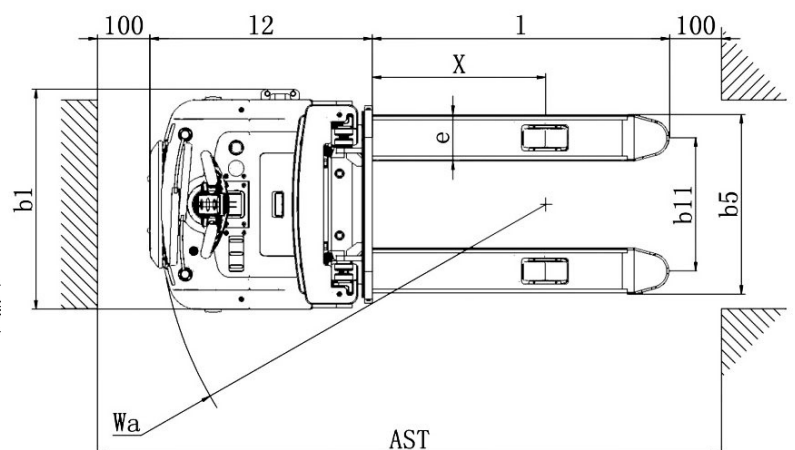
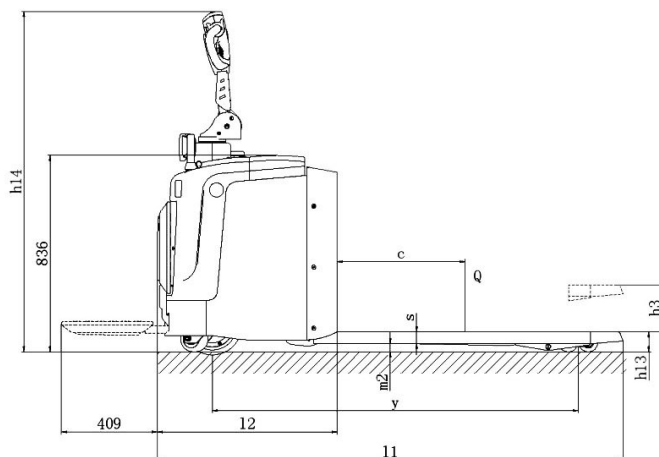
- 24 V Electrical System
- Anti Pinning Button for Operator Safety
- Fully functional control handle
- Battery Compartment Rollers
- Battery Discharge Indicator and Hour Meter
- Electromagnetic Brake on Traction Motor with Ramp Hold facility
- Electromagnetic Parking Brakes
- Fully Integrated Drive Unit with Traction Motor, Gear Box and Drive Wheel
- Fully Welded Steel Chassis with pull rod system
- Mushroom Button for Emergency Shut Down
- Electronic Steering
- Operator Platform
- Load back rest
- Side restraints
- Horn

Optional Accessories

- Additional Battery for long working hours
- Easy Auto-fill system for battery
- Battery changing trolley

TECHNICAL SPECIFICATIONS

		Godrej					
Characteristics	1.2	Manufacturer	Godrej				
	1.3	Model	GPPT 3000	GPPT 3000W			
	1.4	Power Source	Battery	Battery			
	1.5	Operation Type	Pedestrian	Pedestrian			
	1.6	Load Capacity	Q	kg	3000	3000	
	1.7	Load Centre	c	mm	600	600	
	1.8	Load Distance, raised	x	mm	1039	1039	
	1.9	Wheel Base, raised	y	mm	1567	1567	
	Weights	2.1	Service weight without battery	-	kg	850	850
3.1		Wheels type	PU				
Wheels / Tyres	3.2	Wheel size (Diameter x Width)	Front / Rear	mm	250 x 75 / 80 x 80	250 x 75 / 80 x 80	
	3.3		Castor Wheels	mm	115 x 55	115 x 55	
	3.4	No. of wheels	Front / Rear	mm	1 / 4	1 / 4	
	3.5		Castor Wheels	mm	2	2	
	3.8	Track Width	b10 / b11	mm	580 / 355	580 / 355	
Dimensions	4.4	Lift Height	h3	mm	115	115	
	4.9	Height of tiller in drive position min / max	h14	mm	1150 / 1460	1150 / 1460	
	4.15	Lowered Forks Height	h13	mm	85	85	
	4.19	Overall Length w. / w.o. platform	l1 / l1(1)	mm	2420 / 2000	2420 / 2000	
	4.2	Length to Fork face	l2	mm	756	756	
	4.21	Overall width	b1	mm	888	888	
	4.22	Fork dimension	s / e / l (mm)	mm	50 / 185 / 1150	50 / 185 / 1150	
	4.25	Max. width across forks	b4	mm	540	685	
	4.32	Ground clearance Chassis / centre of wheelbase	m1 / m2	mm	66 / 35	66 / 35	
	4.33	Aisle width with pallet 1000 x 1200 across forks (w/o / with operator platform)	Ast	mm	2585 / 2994	2585 / 2994	
	4.33.4	Aisle width with pallet 800 x 1200 along forks (w/o / with operator platform)	Ast	mm	2445 / 2854	2445 / 2854	
	4.35	Turning Radius	Wa	mm	1760	1760	
	Performance	5.1	Travel speed	laden/unladen	km/h	5.2 / 5.5	5.2 / 5.5
		5.2	Lift speed	laden/unladen	m/sec	0.15 / 0.18	0.15 / 0.18
		5.3	Lowering speed	laden/unladen	m/sec	0.35 / 0.16	0.35 / 0.16
5.8		Maximum gradeability	laden	%	6	6	
5.10		Service brake			Electro-Magnetic	Electro-Magnetic	
Drive	6.1	Drive motor, S2 60 min rating		kw	2.5 AC	2.5 AC	
	6.2	Lift motor, S3 10% rating		kw	1.2 DC	1.2 DC	
		Steering motor- Electric Power System (EPS)		kw	0.2 DC	0.2 DC	
	6.4	Battery		V / Ah	24 / 240	24 / 240	
	6.5	Battery weight		kg	210	210	
Others	8.1	Steering type			Electronic	Electronic	
	8.2	Steering angle		Degree	180	180	
	8.4	Noise level at operator's ear		dB	≤70	≤70	



DEALER CONTACT DETAILS – KENYA & UGANDA

GANATRA
PLANT & EQUIPMENT LTD.



**Baba Dogo Road, Ruaraka,
Nairobi**

Tel: +254723506911

Email: *info@godrej.co.ke*

**Pioneer house, Showroom 4
Plot 28, Jinja road, Kampala**

Tel: +256770660449

Email: *info@godrej.co.ke*